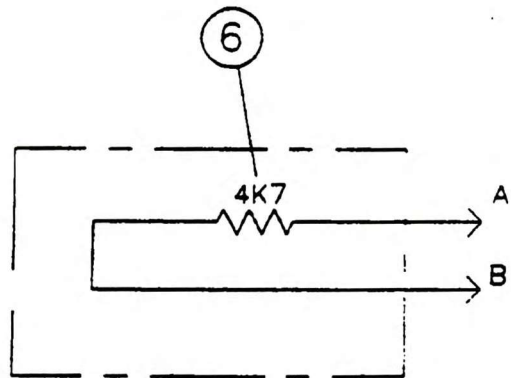
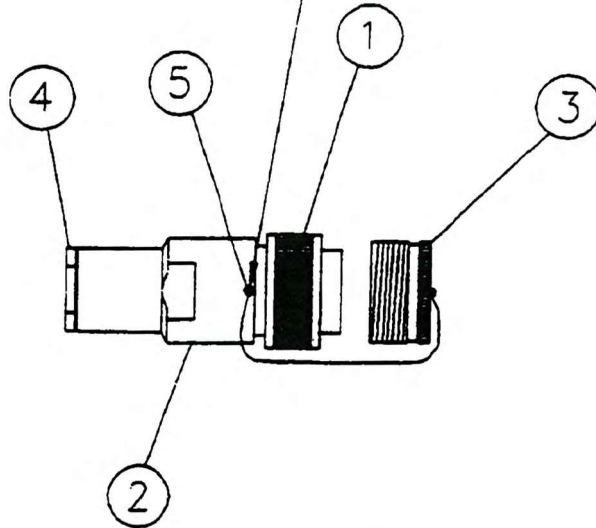



Manitowoc Cranes

NOTE: SCREW TO HOUSING CONNECTION
MUST BE WATER TIGHT.



WIRING DETAIL

NOTES:

 = 4.7 k Ω RESISTOR (1/4 W)

NC = NOT CONNECTED

CONNECTOR ASSEMBLY